

Power Plant Accessories

Relay Racks

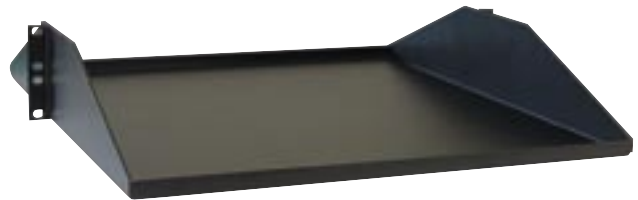
- 7' X 19" or 23" black painted racks constructed of high strength aluminum. Self supporting with two top angles for additional mounting points/additional strength. 19" rated to 1,000 lbs., 23" rated to 1,500 lbs.
- 5/8" - 5/8" - 1/2" mounting hole pattern. Compatible with conventional EIA 1 1/4" -1/2" alternating hole patterns.
- Six web channels per side for side-by-side rack installations.
- Includes 50 ea. #12-24 mounting screws.
- Shipped unassembled with assembly instructions.
- Weight: 19" - 32 lbs., 23" - 42 lbs.

Cabinets are also available in various configurations. Contact factory and specify requirements.



Battery Trays

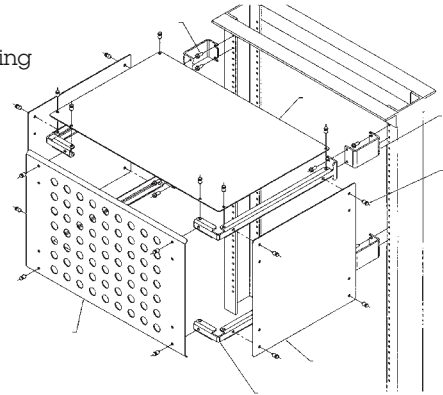
- Heavy gauge cold rolled steel trays fit standard 19" racks with 17 3/4" inner dimension
- Ideal for holding up to four 100 amp-hour front terminal batteries
- Inner dimensions: 17.25" Wide X 19.04" Deep
- 350 lb. capacity
- Black powder coat finish
- Mounting hardware supplied
- Weight 12 lbs.



23" trays also available in various depths. Contact factory and specify requirements.

Rear Rack Covers

- Clear plastic panels attach to rear of racks to protect service personnel by preventing accidental contact with "live" terminals, etc., from top, sides and rear.
- Holes in rear panels allow for flow-through ventilation of fan-cooled components
- Model indicates height of cover in rack units and rack width in inches:
RRC-3-19 3 RU, 19" rack
RRC-7-19 7 RU, 19" rack
RRC-3-23 3 RU, 23" rack
RRC-7-23 7 RU, 23" rack
- May be installed at 14" or 17" rear depth
- Multiple covers may be stacked to accommodate system height
- All mounting hardware included
- Weight: 2 lbs.



Special 2RU rear cover also available for DST panels - see page 13

DC Quick Connect Wiring Kits

- Allow for quick installation and removal of rectifiers
- Designed specifically for use with NEWMAR 1KW PM Series Power Modules and Power Function Manager (see pages 6-7) in stacked rack configuration.
- Wiring harness is fitted with "Anderson" quick-connect and ring lug terminals; all wires tie-wrapped into proper position for quick and easy installation.
- Simplifies parallel wiring of up to 6 modules
- Facilitates "hot" change-out of modules without system shutdown
- Wire gauge 6 AWG

Models:

QCK-3 for 2-3 Power Modules plus PFM and return bus bar; 3 lbs.

QCK-6 for up to 6 Power Modules plus PFM and return bus bar; 4 lbs.



Power Plant Accessories

Battery Disconnect Panels

- Provides over-current protection in high current battery wiring applications
- Provides a convenient means of disconnecting batteries from power plant during servicing
- High current single pole breaker is mounted into dedicated black finish panel
- Auxiliary contacts standard (form C)
- Adapts for 19" or 23" racks.
- Voltage Rating: 12, 24 or 48 VDC

Model	Circuit Breaker Position	Available Amperage
-------	--------------------------	--------------------

BDP-1	1	50, 75, 100
BDP-2	2	50, 75, 100

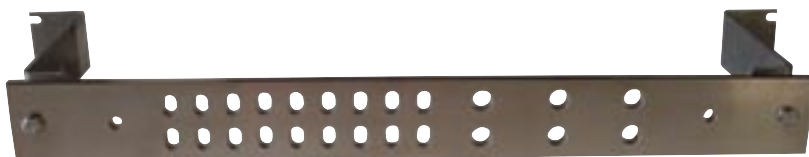
Special order 125 to 400 amp panels available - contact factory



Bus Bars

- 800 amp rated nickel-plated copper bus bar for use as heavy duty DC positive or negative connection point in rack installations
- Mounts to rear of rack; adaptable to 19" or 23" rack widths
- All mounting hardware including isolated stand-offs provided
- Multiple attachment holes in two sizes provided for single and dual hole lugs:
 - 18 ea. @ .312" x .500"
 - 6 ea. @ .437" round
 - 4 ea. @ .281" round
- Bar is 2" high x 1/4" thick x 19 1/2" wide, 4 lbs.
- Projection depth from rear of rack: 7 1/2 inches

Model: BBA-800



Electrical System Analyzer

An essential tool for any electrical system installer or site maintenance technician, the Electrical System Analyzer provides extremely accurate data on all major AC and DC electrical functions in a convenient hand-held device with large easy-to-read LCD display.

Measures and displays:

- AC Voltage up to 400 VAC
- AC Current up to 200 Amps
- Frequency at 50-100,000 Hz
- Electrical Resistance 40-400 Ohms
- DC Voltage up to 400 VDC
- DC Current up to 200 Amps
- Electrical Continuity

Features

- Clamping sensor allows current measurement without disconnecting wiring or shunt installation
- Long easy-grip color coded needle-type test probes
- Operates on two AA batteries (provided)
- Protective carry-case included

Model: ESA

